

Miniature Fuses

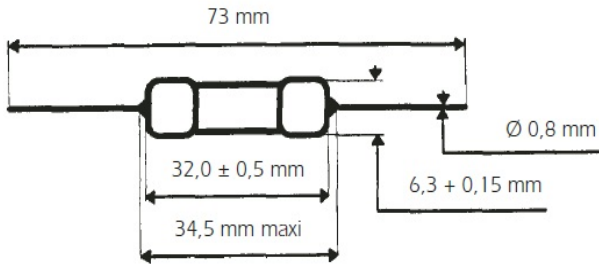
Axial leads 6x32
FA "AL" Very Fast Acting
690V from 0.1 to 2A



Approvals UL recognized E 76491



Dimensions



Installation instructions

Soldering heat resistance : according IEC 68-2-20 / 260°C for 10 seconds

Materials: body: Ceramic tube

Materials: contact: Tin-plated copper

Product weight: 2.8g max.

Packaging: In tape per 1500 pieces

Size	Catalog Number	Reference Number	Rated Voltage (V)	Nominal Current (A)	Breaking capacity @ Nominal current (A)	Pre-arcing I ² t @ Rated voltage (A ² s)	Clearing I ² t @ Rated Voltage (A ² s)	Max. voltage drop (V)
6.3x32	MI6FAP69V0.1	V208214	690	0.1	Cos $\mu \geq 0.2^*$	0.00057	0.0037	2.75
6.3x32	MI6FAP69V0.125	W208215	690	0.125	Cos $\mu \geq 0.2^*$	0.00077	0.005	2.6
6.3x32	MI6FAP69V0.16	X208216	690	0.16	Cos $\mu \geq 0.2^*$	0.002	0.014	2
6.3x32	MI6FAP69V0.2	Y208217	690	0.2	Cos $\mu \geq 0.2^*$	0.0046	0.03	1.7
6.3x32	MI6FAP69V0.25	Z208218	690	0.25	Cos $\mu \geq 0.2^*$	0.009	0.06	1.55
6.3x32	MI6FAP69V0.315	A208219	690	0.315	Cos $\mu \geq 0.2^*$	0.016	0.1	1.45
6.3x32	MI6FAP69V0.4	B208220	690	0.4	Cos $\mu \geq 0.2^*$	0.03	0.2	1.4
6.3x32	MI6FAP69V0.5	C208221	690	0.5	Cos $\mu \geq 0.2^*$	0.05	0.33	1.4
6.3x32	MI6FAP69V0.63	D208222	690	0.63	Cos $\mu \geq 0.2^*$	0.12	0.8	1.15
6.3x32	MI6FAP69V0.8	E208223	690	0.8	Cos $\mu \geq 0.2^*$	0.18	1.2	1.15
6.3x32	MI6FAP69V1	F208224	690	1	Cos $\mu \geq 0.2^*$	0.11	0.48	0.75
6.3x32	MI6FAP69V1.25	G208225	690	1.25	Cos $\mu \geq 0.2^*$	0.17	0.76	0.7
6.3x32	MI6FAP69V1.6	Y206285	690	1.6	Cos $\mu \geq 0.2^*$	0.39	1.7	0.65
6.3x32	MI6FAP69V2	D208038	690	2	Cos $\mu \geq 0.2^*$	0.81	3.5	0.55

*30kA Cos $\mu \geq 0.2$



Shah & Shah Enterprise

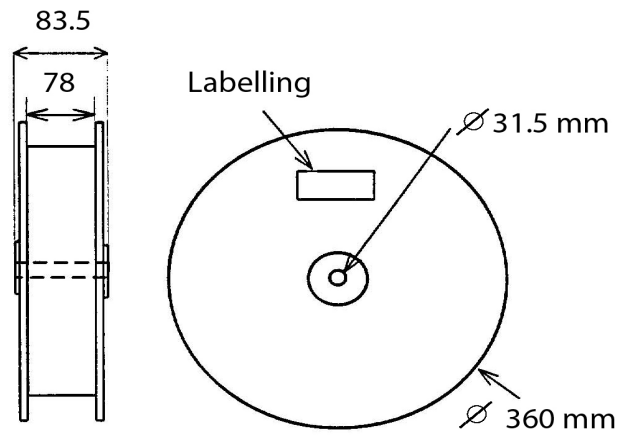
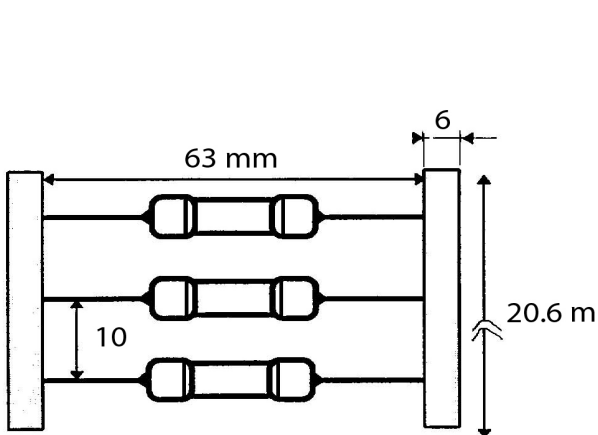
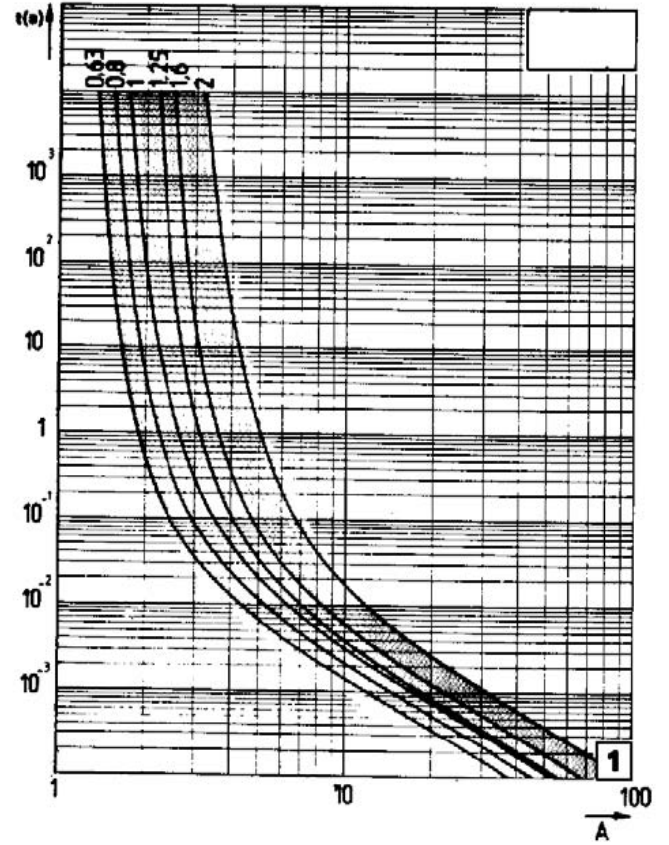
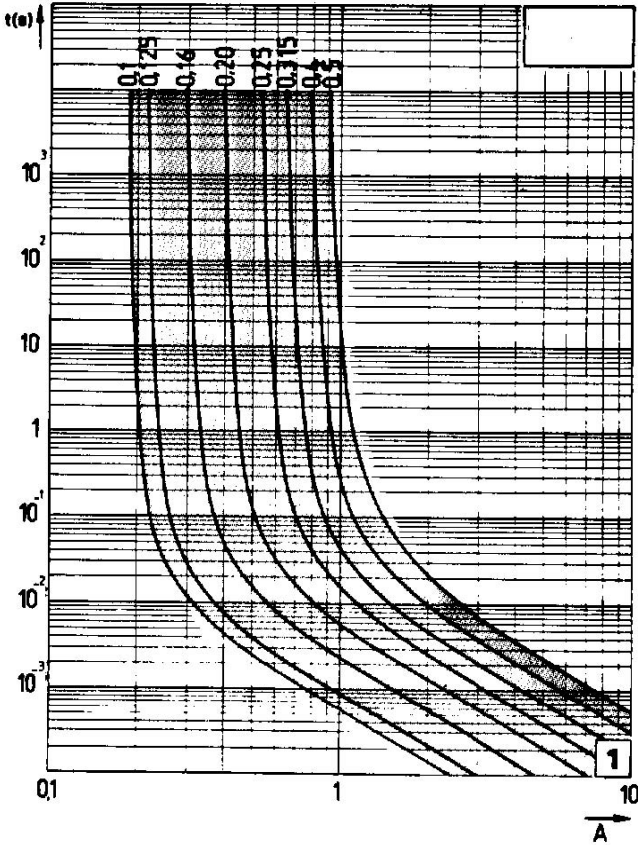
www.shahent.co.in

Miniature Fuses

Axial leads 6x32
FA "AL" Very Fast Acting
690V from 0.1 to 2A



Time Current Curves



Shah & Shah Enterprise

www.shahent.co.in